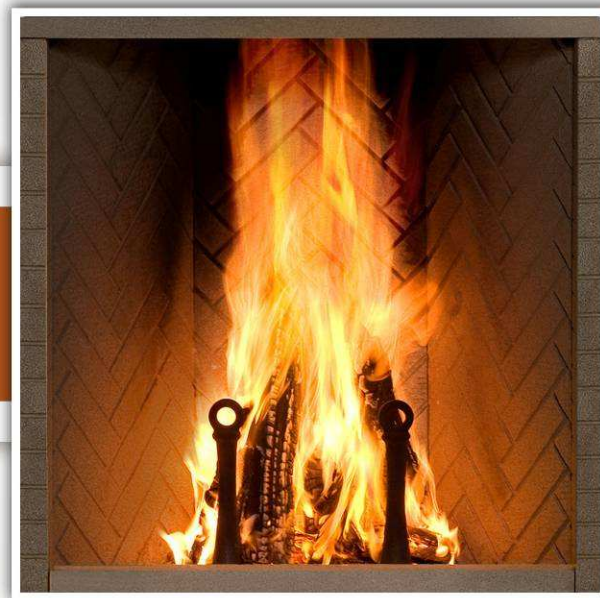


RUMFORD 1000

Architectural Handbook

**THIS BOOKLET IS NOT TO BE USED AS THE INSTALLATION MANUAL
IT IS MERELY A GUIDE TO ASSIST WITH THE DESIGN PROCESS**



CLEAN DOESN'T MEAN COMPROMISE

**The Product Installation Manual can be downloaded in its entirety at
www.renaissancefireplaces.com/en/installation-manuals**

Dear Customer,

This Booklet is designed to assist with planning for the installation of a Renaissance Rumford Fireplace. It is NOT a replacement for the installation manual itself. Product installation manuals can be downloaded at: <http://www.renaissancefireplaces.com/en/installation-manuals>

The Renaissance Rumford™ 1000 is the world's first certified clean burning open fireplace. It combines technology with elegance, allowing you to enjoy an open fire without compromising environmental quality.

We at Renaissance Fireplaces™ want to thank you for considering our fireplaces for your project.

Sincerely,

Renaissance Fireplaces™ Team

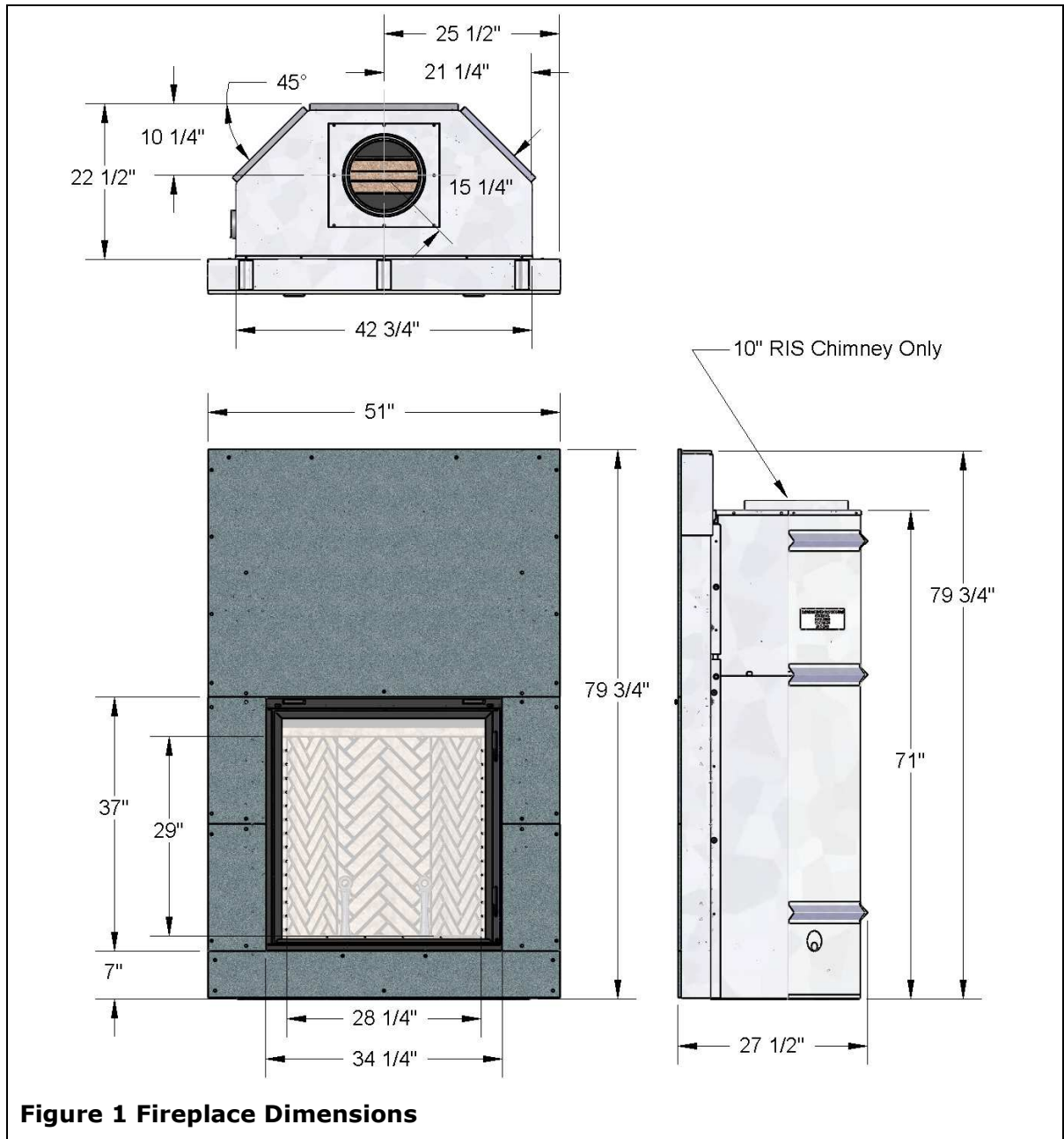
April, 2010

TABLE OF CONTENTS

DIMENSIONS AND CLEARANCES	3
UNIT DIMENSIONS	3
CLEARANCES	4
PLANNING INSTALLATION	7
LOCATION	7
FINISHING	8
FRAMING	8
FIREPLACE FACING	8
HEARTH EXTENSION	8

DIMENSIONS AND CLEARANCES

UNIT DIMENSIONS



CLEARANCES

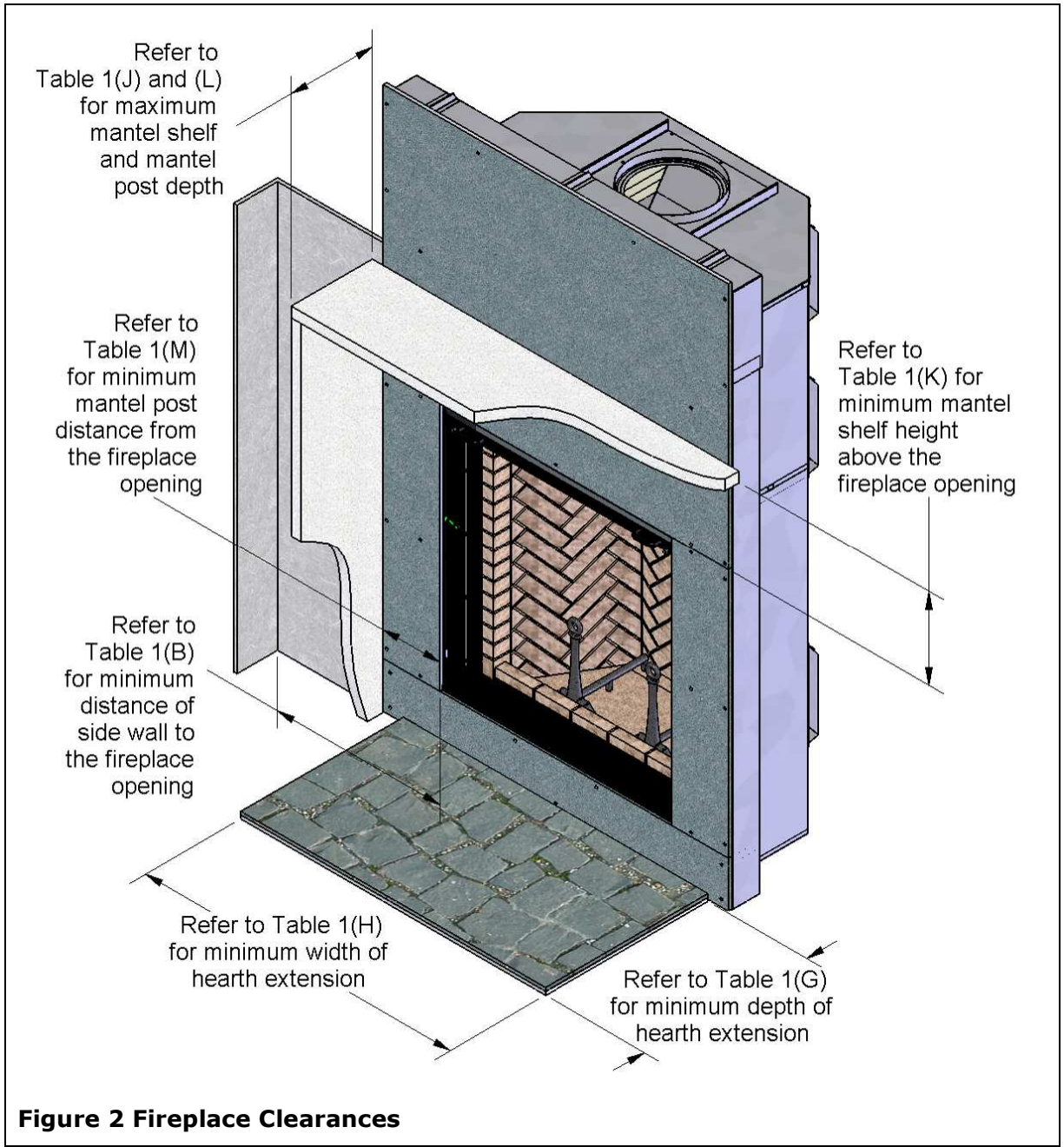


Table 1 Unit Clearances and Specifications

A	Distance to combustible material from side, back and top standoffs	0" (0.0 mm)
B	Minimum distance from side wall to the side of the fireplace opening	24" (610 mm)
C	Minimum ceiling clearance: from the base of the fireplace to the ceiling	8' (2.44 m)
D	Minimum chimney height: minimum total chimney height from fireplace top to below the chimney rain cap	12' (3.66 m)
E	Maximum chimney height: maximum total chimney height from fireplace top to below the chimney rain cap	60' (18.3 m)
F	Maximum chimney height supported by the fireplace	15' (4.6 m)
G	Minimum depth of non-combustible hearth extension: from the front of the fireplace (refer to the "Installation: Hearth Extension" section for details)	24" (610 mm)
H	Minimum width of non-combustible hearth extension: total width, must be centered on the firebox opening (refer to the "Installation: Hearth Extension" section for details)	45" (1.14 mm)
I	Minimum width of the spark guard	45" (1.14 mm)
J	Maximum mantel shelf depth (see Table 2 for other mantel sizes)	12" (305 mm)
K	Minimum height of a combustible mantel shelf above the top of the fireplace opening (to the bottom of the combustible mantel) (refer to the "Installation: Mantel" section for details)	See Table 2
L	Maximum mantel post depth (see Table 3 for other mantel post sizes)	12" (305 mm)
M	Minimum distance between each combustible mantel post and the fireplace opening (refer to the "Installation: Mantel" section for details)	See Table 3

Table 2 Various Mantel Shelf Depths and Corresponding Installation Heights

Maximum Mantel Shelf Depth	Minimum Installation Height
0" to 6"	6"
12"	12"

No combustible mantel shelf can be installed lower than 6" above the top of the fireplace opening. A combustible mantel shelf cannot be deeper than 12".

For combustible mantel shelf depths between 6" and 12", simply install the mantel shelf at a distance above the fireplace opening corresponding to the mantel shelf depth:

- For example, mantel shelf depth to be installed: 9 ¼"
- It is between 6" and 12"
- Minimum installation height of a 9 ¼" mantel: **9 ¼"** above the fireplace opening.

If the combustible mantel shelf has a cross-section with variable depth, it has to be installed so that its widest part is not installed lower than the corresponding minimum installation height while making sure that the lowest point of the mantel shelf is not installed lower than the minimum installation height corresponding to its depth.

Refer to the "Installation: Mantel" section for particulars.

Table 3 Various Mantel Post Depths and Corresponding Installation Distance

Maximum Mantel Post Depth	Minimum Installation Distance
0" to 3"	6"
12"	10"

No combustible mantel post can be installed closer than 6" from either side of the fireplace opening. A combustible mantel post cannot be deeper than 12".

For combustible mantel post depths between 6" and 12", you can calculate the minimum installation distance between the two mantel posts given as follows:

- For example, mantel post depth to be installed: **9 ¼"**
- It is between 3" and 12"
- So: $(9.25 \times 4/9) + 4.676 = 8.778 = 8 \frac{13}{16}"$
- Minimum installation distance of a 9 ¼" mantel post: **8 13/16"** from either side of the fireplace opening.

If the combustible mantel post has a cross-section with variable depth, it has to be installed so that its thickest part is not installed closer than the corresponding minimum installation distance while making sure that the thinnest point of the mantel post is not installed closer than the minimum installation distance corresponding to its depth.

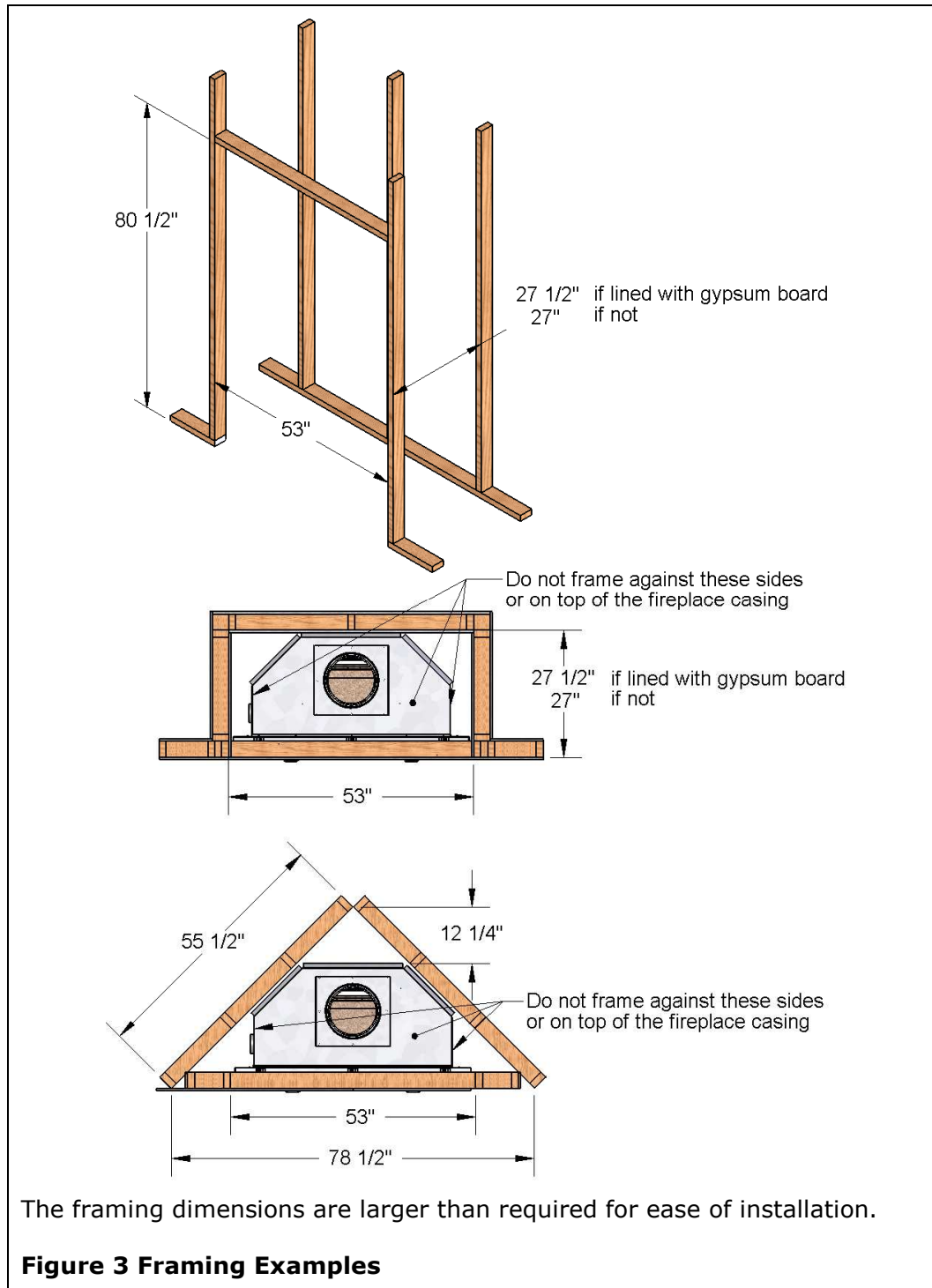
Refer to the "Installation: Mantel" section for particulars.

PLANNING INSTALLATION

Check with your local authority having jurisdiction (such as municipal building department, fire department, fire prevention bureau, etc.) regarding restrictions and installation requirements, and the need to obtain a permit.

LOCATION

Your RUMFORD 1000 fireplace may be installed in different ways (see Figure 3) without any special floor reinforcement.



FINISHING

FRAMING

The enclosure walls can be framed with any suitable materials (2"x4" or 2"x6" studs, plywood, gypsum board, etc.). Because of the high heat output potential of the RUMFORD 1000, combustible materials must NOT go closer to the fireplace than the standoffs, top, back and sides.

FIREPLACE FACING

The RUMFORD 1000 has been provided with its own ½" cement board panels to cover the front of the fireplace. The James Hardie HardieBacker® quality cement boards allow you to finish the facing of the fireplace with any non-combustible material you like.



WARNING: DO NO REPLACE THESE CEMENT BOARD PANELS WITH GYPSUM BOARDS.

COVERING THE FIREPLACE FACING

Facing materials must be NON-COMBUSTIBLE such as metal, brick, slate or ceramic tile. Gypsum board is NOT an acceptable facing material. The only combustible material accepted on the facing of the fireplace is for a mantel (shelf and posts).

The smooth surface of the HardieBacker® can be painted, textured or tiled just as you would over gypsum boards. The lintels provided with the fireplace are appropriate for thin facing materials. A wider steel lintel may be required for heavy rock. If so, contact your local sheet metal contractor for a custom steel lintel.

If you need to attach anything to the front of the fireplace make sure to close the guillotine door and firescreen before attempting to do so. Be sure to only penetrate by no more than ¾" within 1" of the exterior edges. Any closer to the center will either prevent the proper operation of the firescreen and/or the guillotine door, or eventually causing difficulty dismantling the guillotine system.



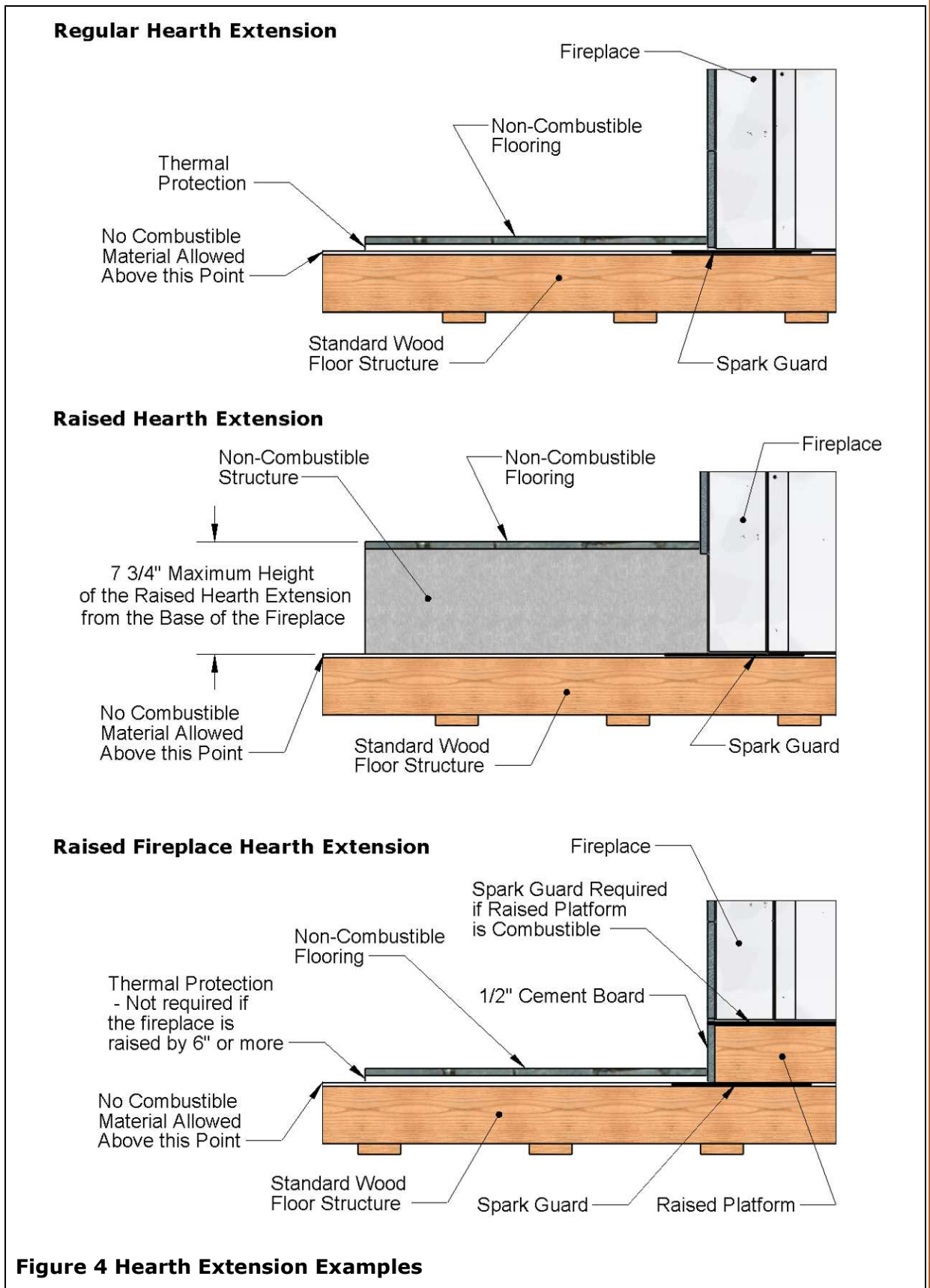
CAUTION: IF ABSOLUTELY NECESSARY, YOU CAN SCREW INTO THE CEMENT FACING ELSEWHERE AS LONG AS THE SCREW TIP DOES NOT COMPLETELY PENETRATE THE ½" CEMENT BOARD PANELS.

Confirm that you have not impeded the normal operation of the firescreen and the guillotine door by moving them slowly.

HEARTH EXTENSION

The area immediately in front of the fireplace must be protected. Refer to Table 1 (G-H) for the depth and width that the hearth protection should extend beyond the front and both sides of the fireplace opening (see Figure 2). Refer to Figure 4 for various alternatives of hearth extension installation.

If the RUMFORD 1000 is installed on a non-combustible floor, NO requirements are necessary.



PLEASE VISIT OUR WEBSITE FOR MORE INFORMATION
WWW.RENAISSANCEFIREPLACES.COM

RENAISSANCE FIREPLACES™, A DIVISION OF:
INDUSTRIAL CHIMNEY COMPANY
400 J-F KENNEDY
ST. JEROME (QUEBEC)
CANADA J7Y 4B7
TELEPHONE: (450) 565-6336
FAX: (450) 565-6519

